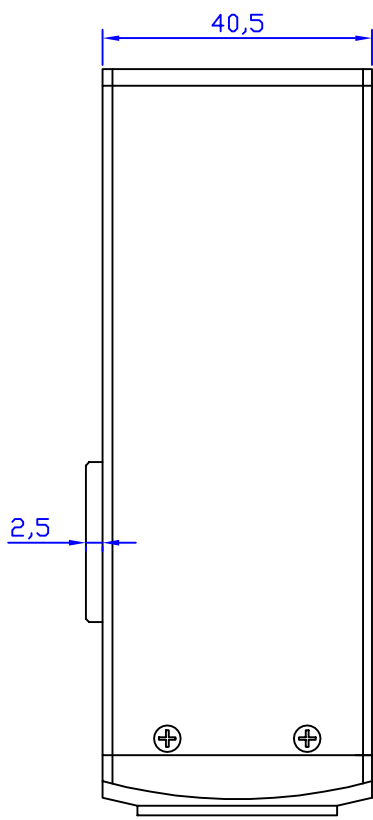
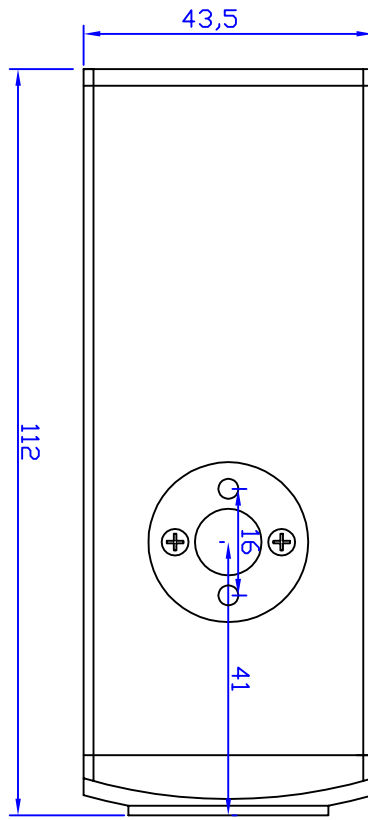


Configuration for  
CS mount Lens  
Unit: mm



Configuration for C  
mount Lens  
Unit: mm

